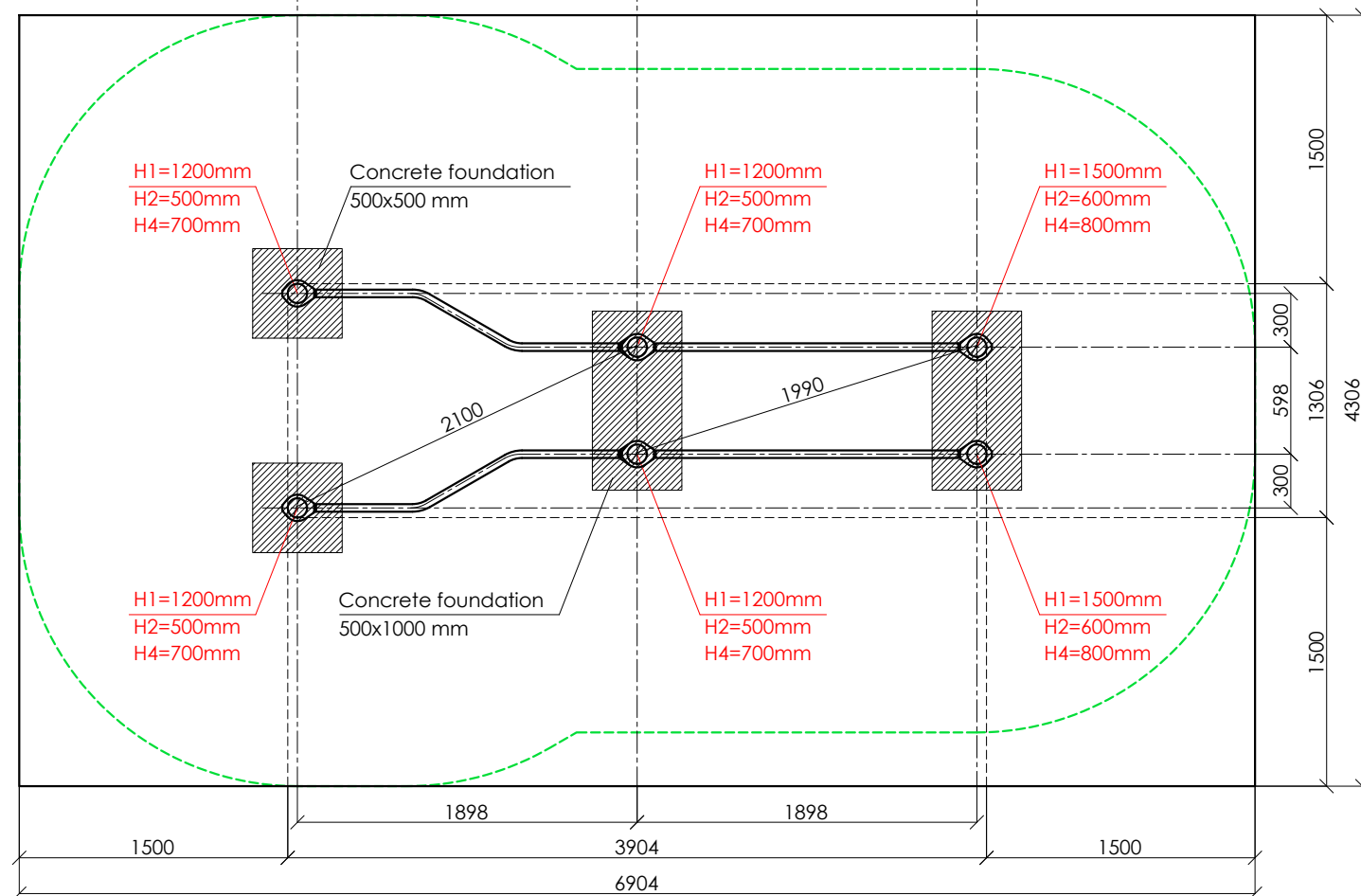
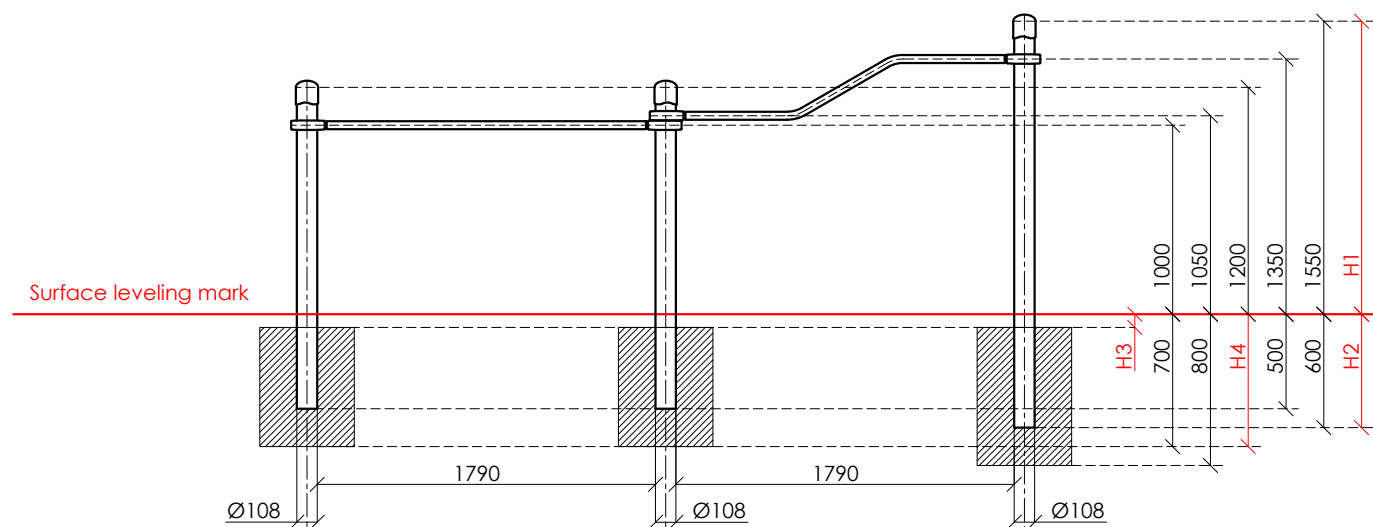
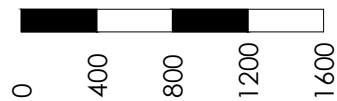


SCALE 1:40



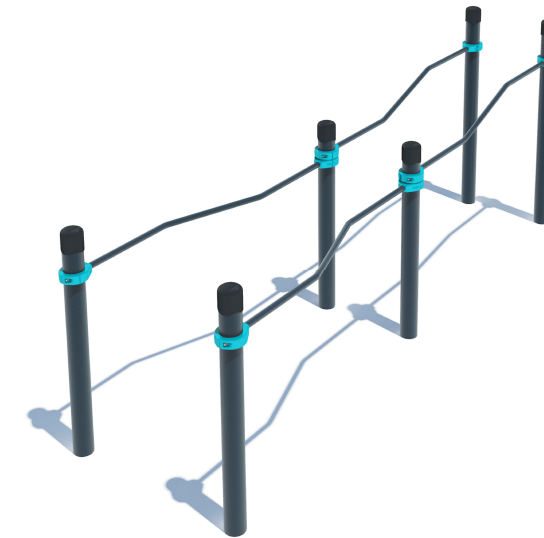
**KENGURU
PRO**

"KENGURU PRO" LTD

Address: Lauteres street 4, Riga, Latvia, LV-1002
 VAT Reg. No. 40103750152
 Bank: A/S Luminor bank, SWIFT: RIKOLV2X,
 Bank Account: LV65RIKO0002930161161
 e-mail: info@kengurupro.eu
 www.kengurupro.eu

P-017

Multi-height, multi-width parallel bars



The complex consists of six vertical columns of different height, multi-width parallel bars 1790 mm in length and multi-level parallel bars 1790 mm in length. The distance between the multi-width parallel bars is 598 mm at the narrow end and 1198 mm at the wide end. Total width difference for the parallel bars is 600 mm. The difference between the lowest and highest point of the multi-level parallel bars is 300 mm. The structure is secured together with siluminium clamps. Weight - 137,00 kg.

Installation instructions:

- Choose a suitable underground for the unit (see page 2, table 2)!
- Prepare the construction pit with a drilling machine or other devices.
- Before pouring the concrete all structures elements must be leveled and fixed.
- Complex elements must be fixed and bolted together with metal clamps.
- Ready-made C25 concrete should be used.
- Crossbars installation height can be changed according to customer's wishes.
- Approximately 0,15m³ concrete is needed for each spot foundation.
- Under the structures we recommend to install absorbing rubber cover.

The size of the hole for the foundation is depending on the consistency of the ground. The dimensions mentioned above are applicable for normal conditions with firm ground. If the ground is extremely soft, a much bigger foundation is needed. Use only appropriate material and follow the installation instructions closely!!!

Foundation plan and area of movement of the P-015 Complex PARAKENGURU LITE

Foundation plan and area of movement of the P-015 Complex PARAKENGURU LITE				Technical information		
Foundation when using Shock absorbing underground (synthetic – rubber granulates)		Beveling of foundation when using loose filling material		width:	1306 mm	
				height:	1600 mm	
				length:	3904 mm	
				largest part:	2150 mm	
				weight:	137.00 kg	
				floor space required	6904 x 4306 mm	
				pipe measurements:	diameter:	wall thickness:
					108 mm	3.2 mm
					42.4 mm	3.2 mm
					33.7 mm	3.2 mm
				metal parts:	steel, galvanized, powder coated RAL 7016 (anthracite grey)	
				metal clamps:	siluminium, powder coated, RAL 5018 (turquoise blue)	
				bolts for metal clamps:	stainless steel, Pin Hex Button Head Security bolts M10	
				max. free fall height:	< 1350 mm	possible underground see DIN 79000:2012-05 Tab.2 or installation instructions
				user height:	> 140 cm	
				maximum user weight:	130 kg	
				certificates:	TÜV Rheinland InterCert Kft.	

